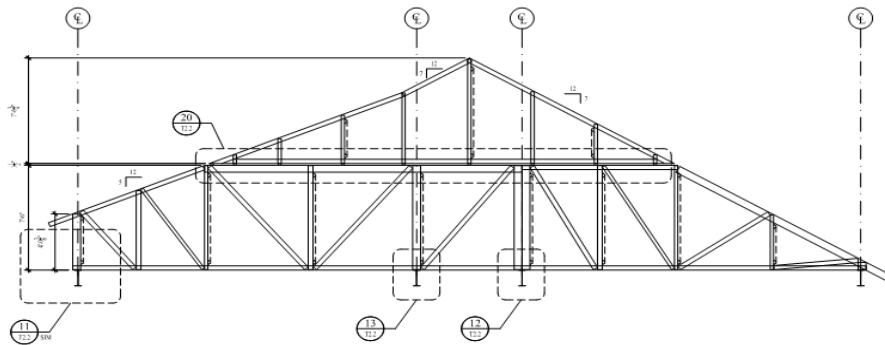


Benchmark Assisted Living Facility

Norwood, MA

Owner:	Benchmark Senior Living	Contractor:	Callahan / Metro Walls, Inc.
Architect:	JAS Architects	Structural Engineer:	JSN Engineers
Type:	Roof Truss	Completion Date:	September 2016

Description: This project is a showcase of Atlantic Prefab’s global approach to projects. API suggested and backed several VE items which saved the customer substantial time & money without changing appearance or sacrificing quality. It’s through this knowledge base that makes API ideal partner on any project.



Constructing Solutions.... Delivering Success.